

Modle Name: M2S

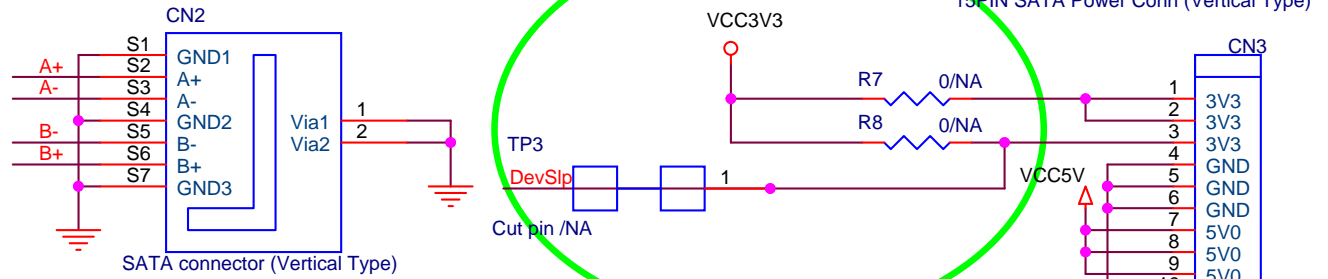
* Standard R/C Size: 0603

Product Name:

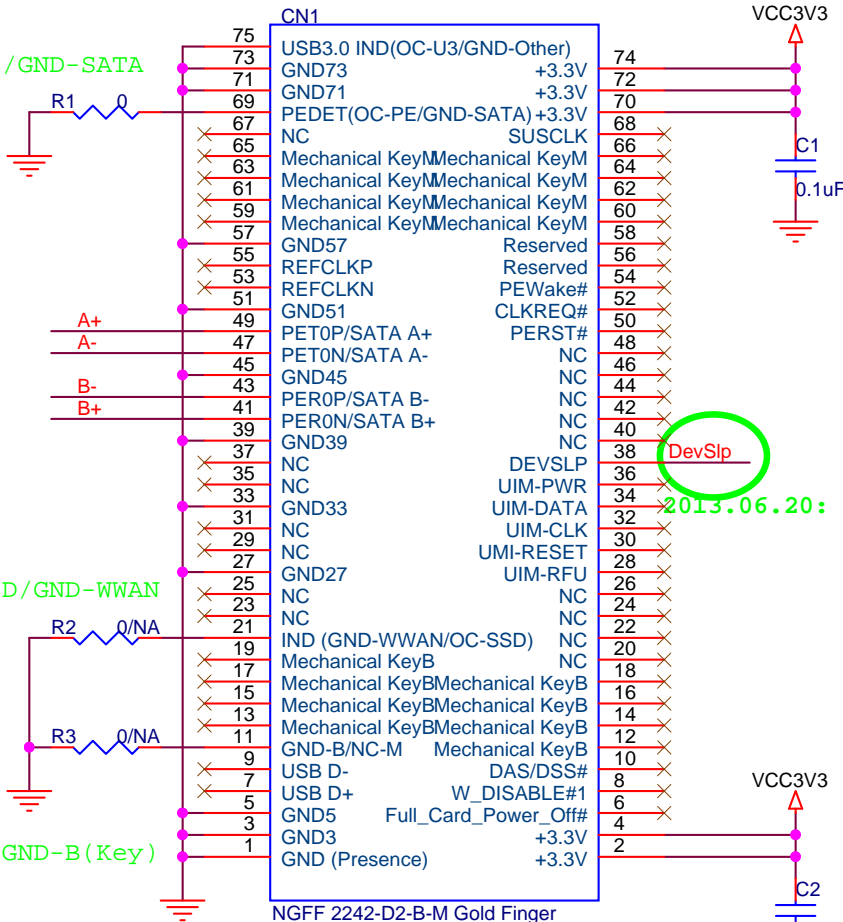
NGFF 2242-D2-B-M Gold Finger to SATA-7P

Release History:

Date	version	Description
20130118		First Release
20130121	Ver1.0	Add 5V & 12V
20130620	Ver1.1	DEVSLP support



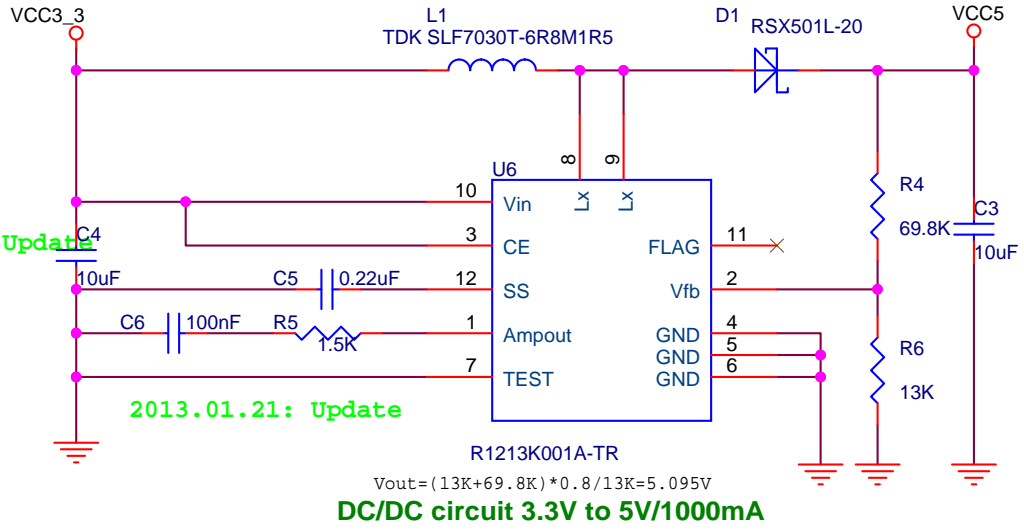
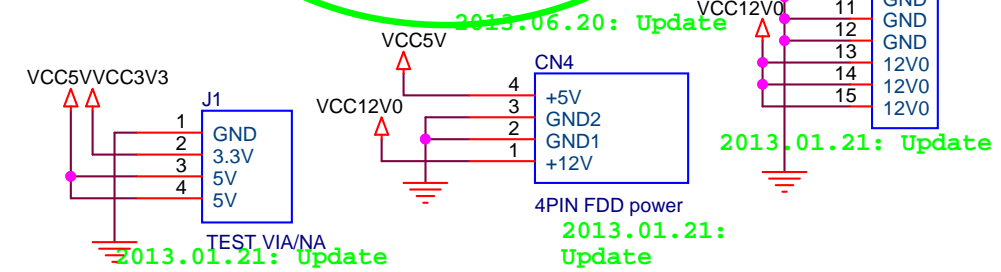
Silk:
R1:NA-PE/GND-SATA



Silk:
R2:NA-SSD/GND-WWAN

Silk:
R3:NA-M/GND-B (Key)

NGFF Gold Finger, Key B-M



www.bplus.com.tw			
Title M2S (Used with MM3U)			
Size A	Document Number M2S	Design by: Roger www.bplus.com.tw	Rev 1.1
Date:	星期四, 六月 20, 2013	Sheet 1	of 1